

**menzi**  
**muck**



**The Menzi dumper 45rd.  
If power decides.**

---

**NEW**

## **Maximum engine power. Integrated particle filter.**

Our new, in-house product, the Menzi dumper 45rd - made in Switzerland - is ahead of its time and sets new standards. It is the first and only dumper with an engine that already complies with emission level 3b. Exhaust aftertreatment, which eliminates hazardous soot particles, is integrated by the manufacturer into modern turbo diesel engines. Subsequent installation of a particle filter is not required.

---

**Clean air rules meet!  
No subsequent  
installation of particle  
filter.**



### Highest level of environmental protection. Integrated active particle filter system.

The most recent generation of industrial diesel engine is installed in the Menzi 45rd dumper. The 4-cylinder common rail turbo engine from VW (Volkswagen) achieves a maximum output of 75 kW (102 HP). The particle filter system is part of the engine and is automatically controlled by its controller. The operator and his operating style don't affect the function of the filter regeneration.

### Hydraulic system.

An axial-piston variable displacement pump for the drive hydraulics with a delivery volume of 130 l/min at max. 400 bar. A gear pump for steering and the hutch with a delivery rate of 45 l/min at max. 180 bar. Priority valve for steering.

### Cooling system - designed with lots of overhead.

The dumper has a large suction cooling system. Optimised air flow through three coolers arranged side by side. The cooling elements for water, hydraulic oil and charge air are size-optimised.

### Powerful traction drive / strong axles.

The hydrostatic drive motors with large displacement is directly integrated into the drive train. This facilitates very precise, low-noise driving. The self-locking differential also ensures optimum, all-terrain traction when off the road. The foot brake and hand brake are integrated directly into the axle as multiple disk brakes in an oil bath. Each axle has a carrying capacity of six tons and a high driving torque.

### Automotive driving.

Engine revs and drive pump are synchronised via the accelerator pedal. This provides the dumper with handling characteristics similar to an automatic drive. Two continuous driving modes: 0 - 10 km/h and 0 - 30 km/h.

### Articulated steering.

The steering gear, with a maximum turn of +/- 40 degrees, is actuated by two dual-activating hydraulic cylinders. The steering cylinder piston rods are integrated into the chassis protectively. Minimum turning cycle: 3560 mm.

The articulated steering compensates for uneven terrain. The maximum swing angle is +/- 10 degrees. All joint parts are fitted with high-quality swivel-head eyes.

### Swivel/dumping mechanism and dump bed.

The large-sized slewing ring allows the dump bed to be rotated by +/- 90 degrees. Mechanical lock. The floor of the dump bed is 8 mm thick; it is fitted with a flat bearing area to accommodate a europallet. A robust frame protects the dump bed from damage.



### Technical data

|                           |               |
|---------------------------|---------------|
| Capacity                  | 4'500 kg      |
| Empty weight              | 3'200 kg      |
| Total weight              | 7'700 kg      |
| Bearing load per axle     | 6'000 kg      |
| Speed                     | up to 30 km/h |
| Standard dump bed (piled) | 2'300 l       |
| Standard dump bed (even)  | 1'700 l       |
| Big dump bed (piled)      | 2'600 l       |
| Big dump bed (even)       | 2'000 l       |

### Standards.

- Standard dump bed 2'300 liters piled.
- Roll bar
- Rear trailer tow socket
- Rear trailer hitch
- Lifting rings for lifting and securing
- Tyres: 12.5/80-R18

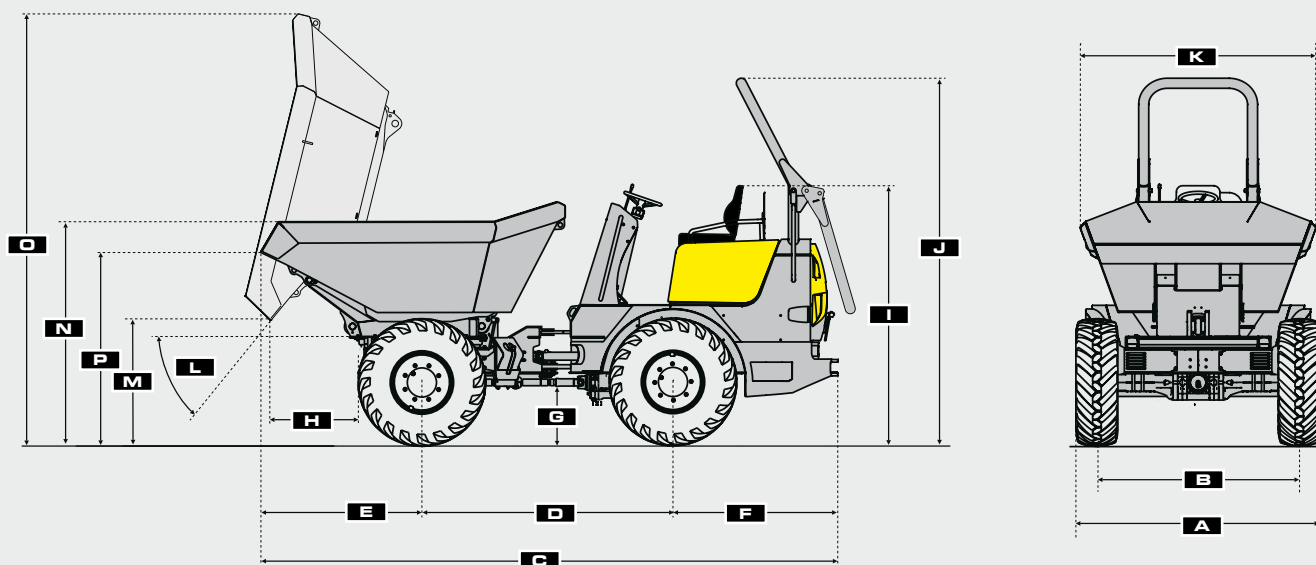
### Options.

- Big dump bed / dump bed with deeper sill
- Individual paintwork
- Front trailer hitch
- Biodegradable hydraulic oil
- Tyres: 15.0/55-17 (tread lug)
- Canopy
- Safety roof with front window and shield wiper

# The 45rd. The technical datas.

## VW - Turbo-Diesel-Engine.

|                   |                        |
|-------------------|------------------------|
| Brand             | Volkswagen             |
| Type              | 4-cylinder Turbodiesel |
| Denomination      | TDI 2.0 DPF            |
| Maximum output    | 75 kW / 102 HP         |
| Regulated output  | 66 kW @ 2500 min-1     |
| Displacement      | 2'000 ccm              |
| Emission standard | Emission tier 3b       |



### 45rd with standard hutch

| Tyres    |  | 12.5/80-18 | 15.0/55-17 |
|----------|--|------------|------------|
| <b>A</b> | Vehicle width                                | mm 1845    | 1795       |
| <b>B</b> | Track width                                  | mm 1530    | 1530       |
| <b>C</b> | Vehicle length                               | mm 4365    | 4365       |
| <b>D</b> | Wheel spacing                                | mm 1900    | 1900       |
| <b>E</b> | Front projection                             | mm 1215    | 1215       |
| <b>F</b> | Rear projection                              | mm 1250    | 1250       |
| <b>G</b> | Ground clearance                             | mm 450     | 410        |
| <b>H</b> | Distance from wheel / dumping edge           | mm 670     | 710        |
| <b>I</b> | Vehicle height (with folded rollbar)         | mm 1970    | 1930       |
| <b>J</b> | Vehicle height (with rollbar)                | mm 2780    | 2740       |
| <b>K</b> | Dump bed width                               | mm 1780    | 1780       |
| <b>L</b> | Max. dumping angle of dump bed               | 51°        | 51°        |
| <b>M</b> | Dumping height                               | mm 960     | 920        |
| <b>N</b> | Sill (on the side)                           | mm 1690    | 1650       |
| <b>O</b> | Tilted dump bed - max. height                | mm 3270    | 3230       |
| <b>P</b> | Viewing height in dump bed (from the front ) | mm 1470    | 1430       |

### Dump bed with deep sill

A smaller dump bed can be supplied as an option. In comparison to the standard hutch, the sill is 120 mm deeper.  
Capacity when piled: 2000 litres  
Capacity when even: 1400 litres

### Big dump bed

Also a bigger dump bed can be supplied as an option.  
Capacity when piled: 2'600 litres  
Capacity when even: 2'000 litres